

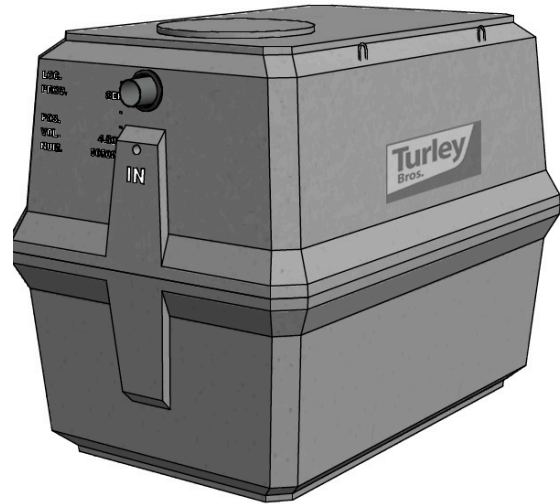
# Data Sheet

**Product: 4500 LTS Concrete Tank**

### DIMENSIONS / VOLUMES / WEIGHT

Measure	Unit	
Total height*	(cm)	185
Entry height*	(cm)	160
Exit height*	(cm)	158
Length	(cm)	238
Width	(cm)	158
Total volume	(m <sup>3</sup> )	4.74
Useful volume	(m <sup>3</sup> )	4.24
Weight	(T)	2.52
Manhole	(cm)	1 x Ø60
Ø IN / OUT	(mm)	110/110

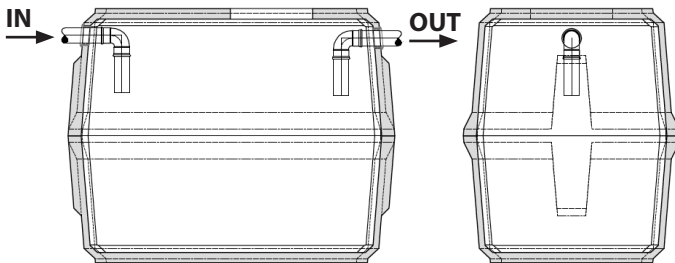
\* tolerance ± 2 cm



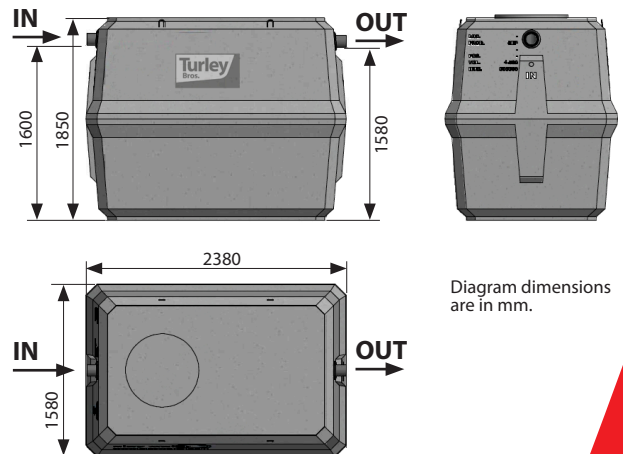
### Material

Tank(s) High performance fibre reinforced concrete

### OPERATION



### SIZING



### GUARANTEES

Tank : 10 years  
Resistance B125

Turley Bros reserves the right to modify, or more generally, to update this document at any time without prior notice.